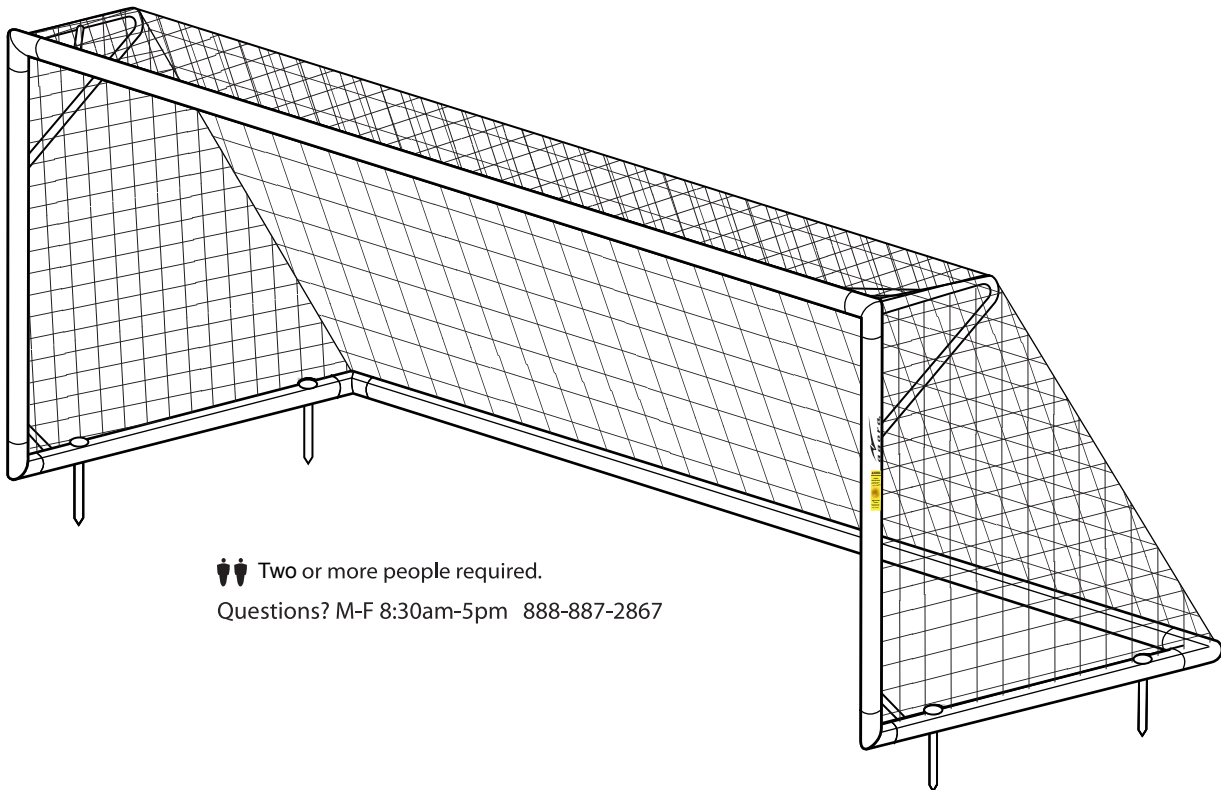




GOAL SAFETY INSTRUCTIONS

**IMPORTANT! PLEASE READ BEFORE GOAL ASSEMBLY**

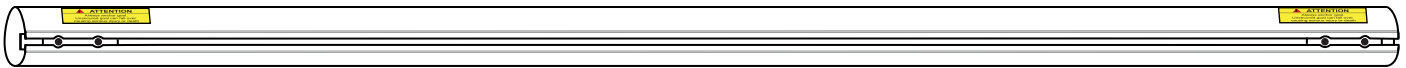
- Read all instructions before beginning assembly.
- 2 or more adults may be required to assist in assembly.
- Unpack and inspect all parts / hardware for quality and structural integrity. Contact Customer Support if any item is damaged or missing.
- All Safety and Warning labels must be visible.
- Securely anchor or counterweight movable goals at ALL times.
- Prevent tip-over injuries by NEVER leaving goal unattended or unsecured. Goal should be anchored, chained to another goal or to an adjacent fence post of high structural integrity, or stored away from child access.
- Educate players, coaches, maintenance personnel and other individuals using / interacting with the goal on the proper usage, safety measures, and potential hazards of movable soccer goals.
- Instruct players, coaches, and other members NEVER to climb goal net or frame.
- Goal should only be moved by proper number of trained adults with extreme caution.
- Goal should NEVER be used on unlevelled playing fields.
- Net should be removed when goal is not in use.
- Disassemble goal during off-season or prolonged disuse.



## PARTS, HARDWARE, & TOOLS

**Important!** All directional descriptions (i.e. Left, Right) are based on the front of the goal facing you. Hardware may be housed in one or more separate boxes. Please open all boxes / packaging before assembly.

(Images not to scale)



**A - Top Crossbar (1)**

Contains Warning Label



**B - Bottom Crossbar (1)**

Contains no labels



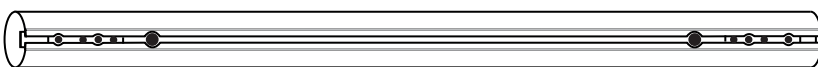
**C - Left Post (1)**

With channel system facing back, AGORA logo on left



**D - Right Post (1)**

With channel system facing back, AGORA logo on right



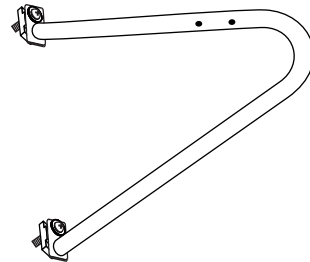
**E - Base (2)**

Contains no labels. Has 5 holes on each end.



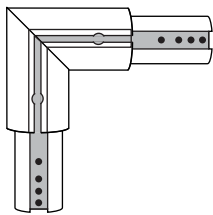
**DD - Backdrop Arm (2)**

Includes pre-installed bolt and angled bracket



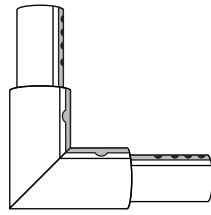
**CC - Backdrop Shoulder (2)**

Includes pre-installed bolts and angled brackets



**AA - Crossbar Corner (4)**

Channel system is lined on the outside of the 'L'

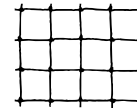


**BB - Post Corner (2)**

Channel system is lined on the inside of the 'L'



**F - Post Brace (2)**



**G - Net (1)**



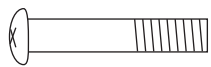
**H - Net Clips (1 Set)**



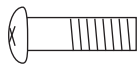
**I - 14" Steel Anchor Nails (4)**

### HARDWARE & TOOLS

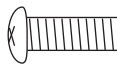
NOTE: Hardware may be housed in one or more separate boxes. Please open all boxes / packaging before assembly.



**J - 2" Hex Bolt (4)**  
Semi thread



**K - 1 1/2" Hex Bolt (4)**  
Semi thread



**L - 3/4" Hex Bolt (20)**  
Full thread



**M - 3/8" Hex Nut (4)**  
Use with 2" Hex Bolt



**N - 3/4" Washer (28)**

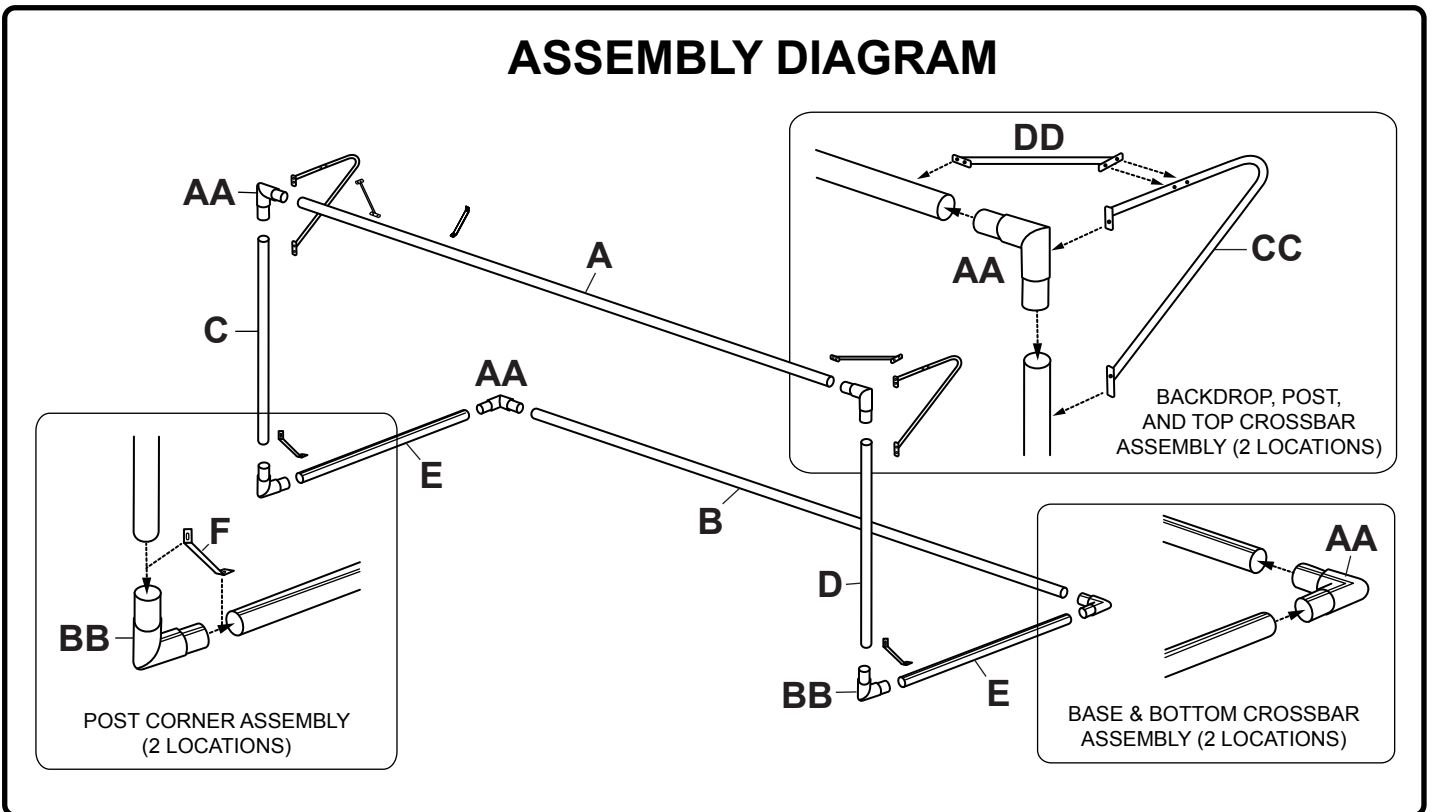


**O - 11/16" Wrench (1)**



**P - Allen Wrench (1)**

# ASSEMBLY DIAGRAM



## ASSEMBLY START

### Connect Side Posts

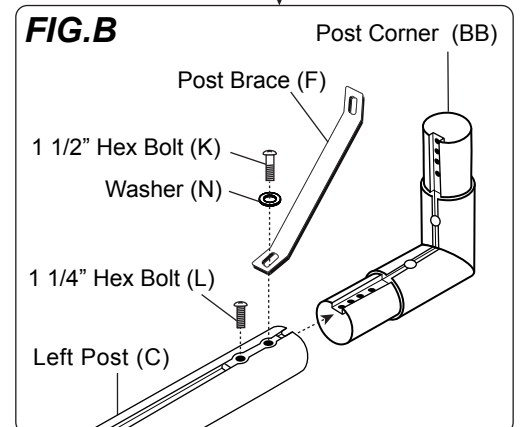
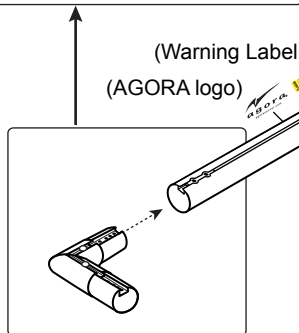
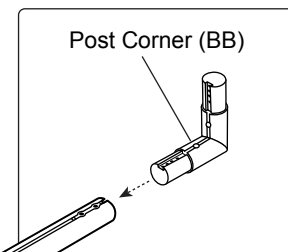
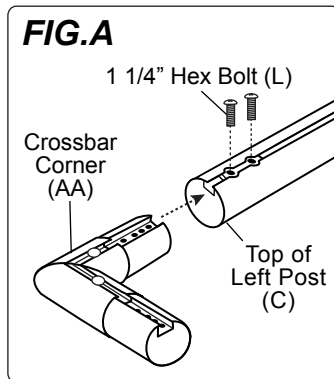
1. Connect Left Post (C) to Crossbar Corner (AA) following **FIG. A**.

*Note: Remove plastic fastener before bolting.*

2. Connect Left Post (C) to Post Corner (BB) following **FIG. B**.

*Note: Remove plastic fastener before bolting.*

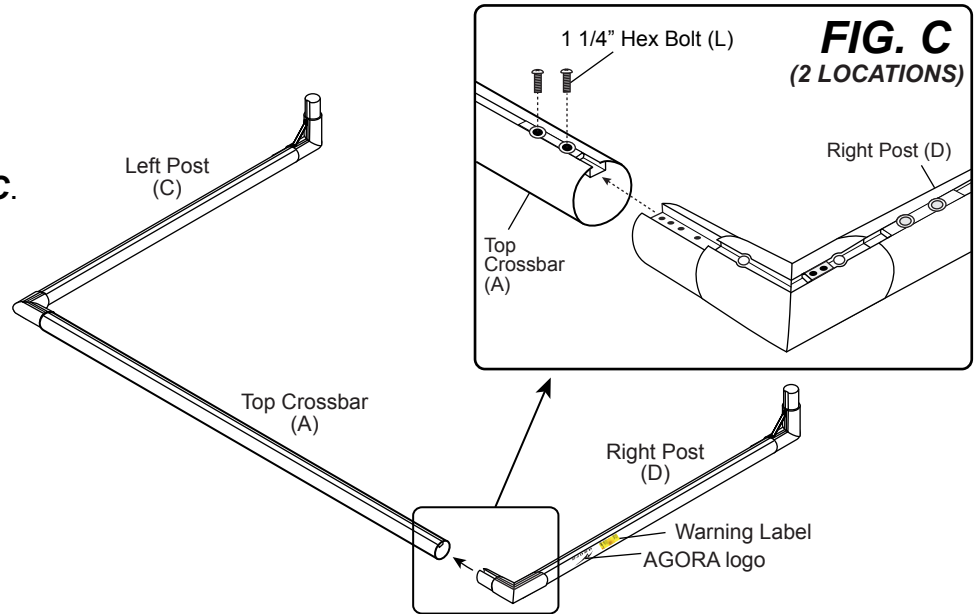
3. Perform steps #1 and #2 for Right Post (D).



## Connect Goal Face

4. Connect Left and Right Assembled Posts to Top Crossbar (A) following **FIG. C**.

*Note: Remove plastic fastener before bolting.*



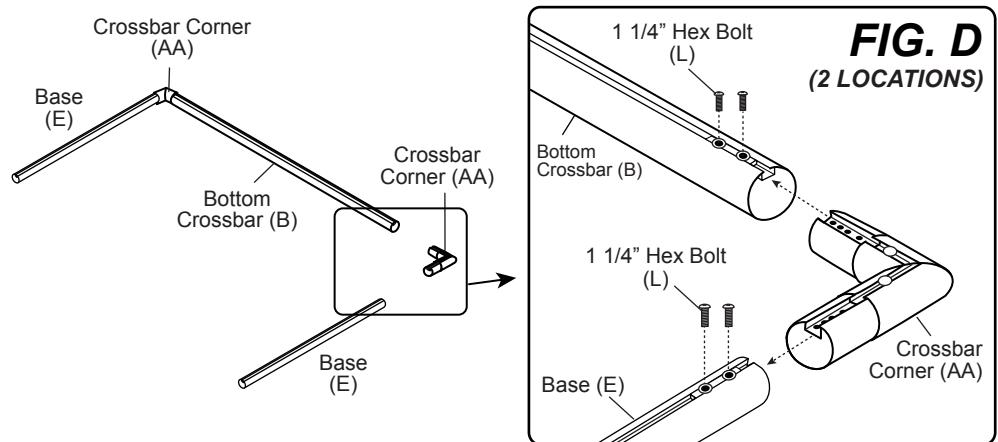
## Connect Base

5. Connect Bottom Crossbar (B) to Crossbar Corners (AA) following **FIG. D**.

*Note: Remove plastic fastener before bolting.*

6. Connect Base (E) to Crossbar Corners (AA) following **FIG. D**.

*Note: Remove plastic fastener before bolting.*

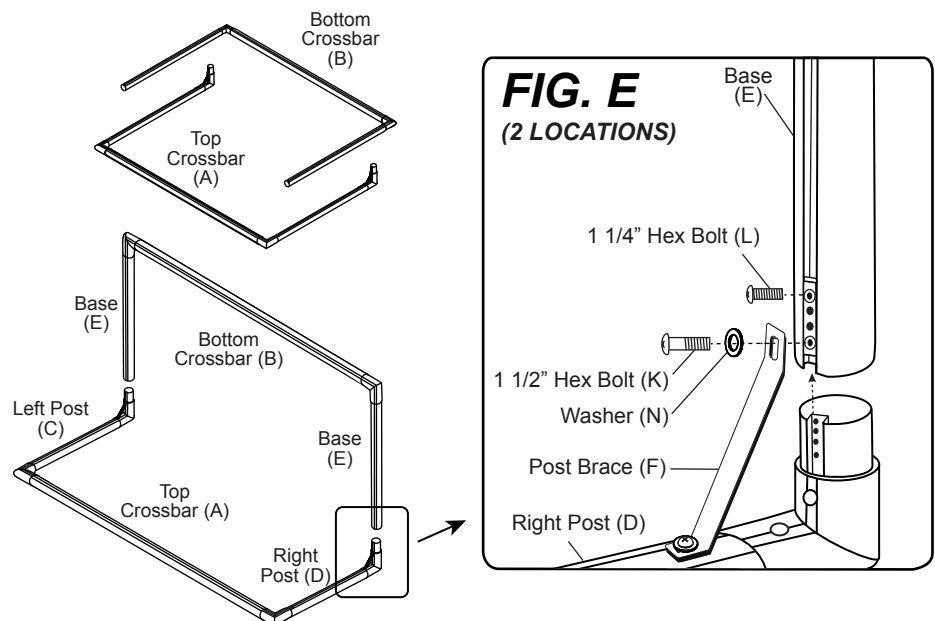


## Connect Face to Base

7. Raise Bottom Crossbar/Base assembly and insert into Top Crossbar Assembly following **FIG. E**. Ensure all connections are secure and firmly pushed prior to bolt assembly.

*Note: Remove plastic fastener before bolting.*

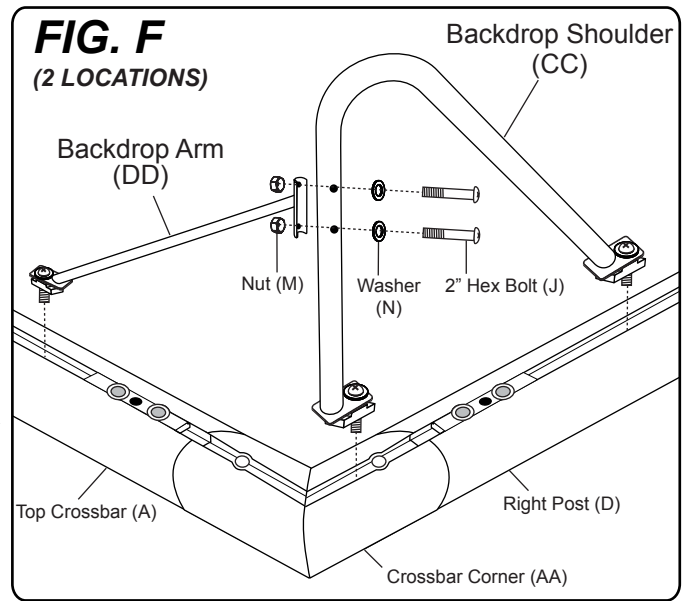
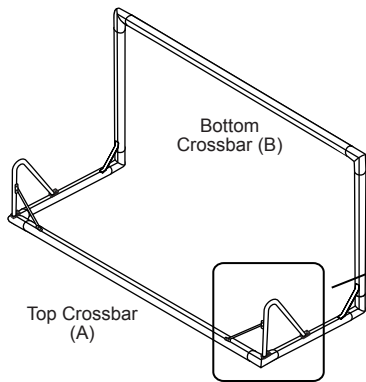
Tighten bolts on both left and right sides.



## Connect Backdrop

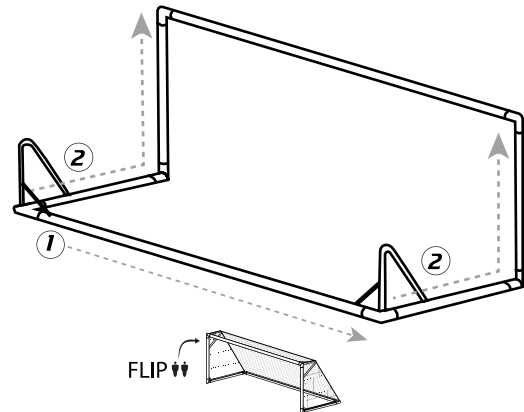
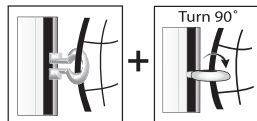
9. Connect Backdrop Shoulder (CC) and Backdrop Arm (DD) following **FIG. F**. Simply screw Backdrop Shoulder into channel system.

*Note: Remove plastic fastener before bolting.*



## Attach Net

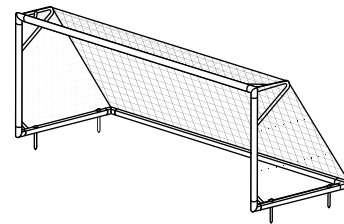
10. Attach top half of net using provided Net Clips (H). Fit net through Net Clip loop, insert net into channel system, and twist to lock. Next, carefully flip goal over (Bases should now sit on ground) and attach remaining bottom half of net to bottom of goal.



## Anchor

11. Anchor goal using provided Steel Anchor Nails (I).\*

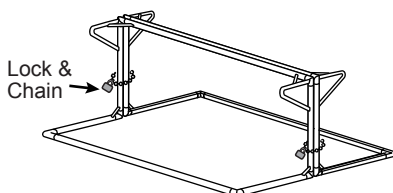
\*Also compatible with other semi-permanent and permanent anchors (sold separately).



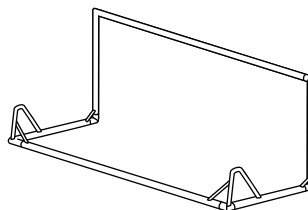
## STORAGE

**Goal tip-over can cause serious injury or even death. Most cases occur when goals are left unattended. Remove net and disassemble goal during off-season or prolonged disuse using one of the methods below.**

1. Anchor or chain one goal to another



2. Fold goals face down



3. Chain Goals to a nearby fence or other sturdy structure

